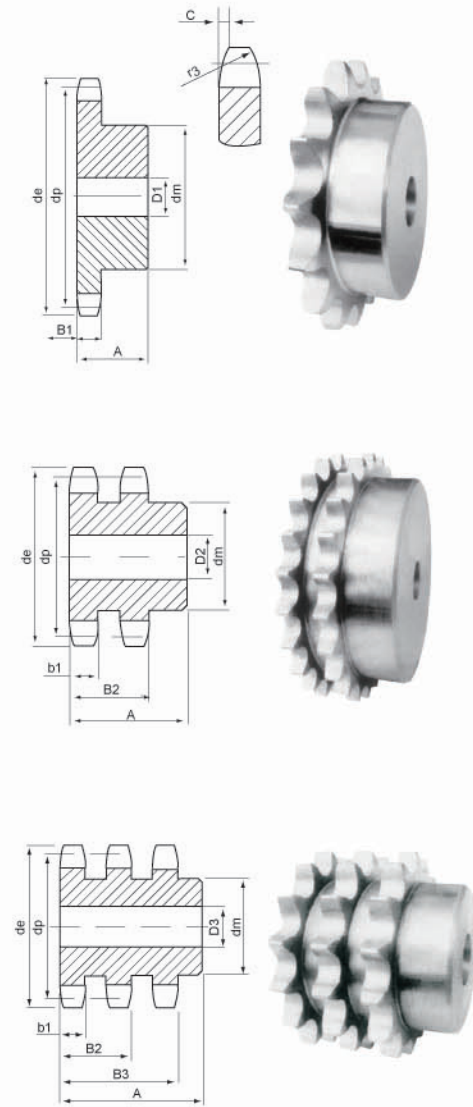


Z	d _e	d _p	SIMPLEX			WEIGHT kg	DUPLEX			TRIPLEX		
			d _m	D ₁	A		d _m	D ₂	A	d _m	D ₃	A
8	37.2	33.18	20	10	25	0.06	20	10	32	20	10	46
9	41.0	37.13	24	10	25	0.09	24	10	32	24	12	46
10	45.2	41.10	26	10	25	0.12	28	10	32	28	12	46
11	48.7	45.07	29	10	25	0.15	32	12	35	32	14	50
12	53.0	49.07	33	10	28	0.21	35	12	35	35	14	50
13	57.4	53.06	37	10	28	0.27	38	12	35	38	14	50
14	61.8	57.07	41	10	28	0.33	42	12	35	42	14	50
15	65.5	61.09	45	10	28	0.39	46	12	35	46	14	50
16	69.5	65.10	50	12	28	0.46	50	14	35	50	16	50
17	73.6	69.11	52	12	28	0.51	54	14	35	54	16	50
18	77.8	73.14	56	12	28	0.59	58	14	35	58	16	50
19	81.7	77.16	60	12	28	0.67	62	14	35	62	16	50
20	85.8	81.19	64	12	28	0.77	66	14	35	66	16	50
21	89.7	85.22	68	12	28	0.85	70	16	40	70	16	55
22	93.8	89.24	70	12	28	0.92	70	16	40	70	16	55
23	98.2	93.27	70	14	28	0.95	70	16	40	70	16	55
24	101.8	97.29	70	14	28	0.98	75	16	40	75	16	55
25	105.8	101.33	70	14	28	1.01	80	16	40	80	16	55
26	110.0	105.36	70	16	30	1.09	85	16	40	85	20	55
27	114.0	109.40	70	16	30	1.13	85	16	40	85	20	55
28	118.0	113.42	70	16	30	1.17	90	16	40	90	20	55
29	122.0	117.46	80	16	30	1.41	95	16	40	95	20	55
30	126.1	121.50	80	16	30	1.46	100	16	40	100	20	55
31	130.2	125.54	90	16	30	1.75	100	20	40	110	20	55
32	134.3	129.56	90	16	30	1.79	100	20	40	110	20	55
33	138.4	133.60	90	16	30	1.83	100	20	40	110	20	55
34	142.6	137.64	90	16	30	1.87	100	20	40	110	20	55
35	146.7	141.68	90	16	30	1.94	100	20	40	110	20	55
36	151.0	145.72	90	16	35	2.21	100	20	40	120	25	55
37	154.6	149.76	90	16	35	2.24	100	20	40	120	25	55
38	158.6	153.80	90	16	35	2.33	100	20	40	120	25	55
39	162.7	157.83	90	16	35	2.30	100	20	40	120	25	55
40	166.8	161.87	90	16	35	2.44	100	20	40	120	25	55
41	171.4	165.91	*90	16	40	2.41	*108	20	50	*120	25	60
42	175.4	169.95	*90	16	40	2.38	*108	20	50	*120	25	60
43	179.7	173.98	*90	16	40	2.35	*108	20	50	*120	25	60
44	183.8	178.02	*90	16	40	2.32	*108	20	50	*120	25	60
45	188.0	182.07	*90	16	40	2.30	*108	20	50	*120	25	60
46	192.1	186.10	*90	16	40	2.45	*108	20	50	*120	25	60
47	196.2	190.14	*90	16	40	2.60	*108	20	50	*120	25	60
48	200.3	194.18	*90	16	40	2.85	*108	20	50	*120	25	60
49	204.3	198.22	*90	16	40	2.88	*108	20	50	*120	25	60
50	208.3	202.26	*90	16	40	2.92	*108	20	50	*120	25	60
51	212.1	206.30	*90	16	40	2.94	*108	20	50	*120	25	60
52	216.1	210.34	*90	16	40	2.96	*108	20	50	*120	25	60
53	220.2	214.37	*90	16	40	2.98	*108	20	50	*120	25	60
54	224.1	218.43	*90	16	40	3.00	*108	20	50	*120	25	60
55	228.1	222.46	*90	16	40	3.04	*108	20	50	*120	25	60
56	232.2	226.50	*90	16	40	3.08	*108	20	50	*120	25	60
57	236.4	230.54	*90	16	40	3.13	*108	20	50	*120	25	60
58	240.5	234.58	*90	16	40	3.18	*108	20	50	*120	25	60
59	244.5	238.62	*90	16	40	3.24	*108	20	50	*120	25	60
60	248.6	242.66	*90	16	40	3.30	*108	20	50	*120	25	60
62	256.9	250.74	*90	16	40	3.45	*108	20	50	*120	25	60
64	265.1	258.82	*90	16	40	3.60	*108	20	50	*120	25	60
65	269.0	262.86	*90	16	40	3.65	*108	20	50	*120	25	60
66	273.0	266.91	*90	16	40	3.70	*108	20	50	*120	25	60
68	281.0	274.99	*90	16	40	3.75	*108	20	50	*120	25	60
70	289.0	283.07	*90	16	40	3.80	*108	20	55	*120	25	60
72	297.2	291.15	*90	16	40	4.00	*108	20	55	*120	25	60
75	309.2	303.28	*90	16	40	4.06	*108	20	55	*120	25	60
76	313.2	307.32	*90	16	40	4.12	*108	20	55	*120	25	60
78	321.4	315.40	*90	16	40	4.56	*108	20	55	*120	25	60
80	329.4	323.49	*90	16	40	5.00	*108	20	55	*120	25	60
85	349.0	343.69	*90	16	40	5.80	*110	20	55	*120	25	60
90	369.9	363.90	*90	16	40	6.60	*110	20	55	*120	25	60
95	390.1	384.11	*90	16	40	7.38	*110	20	55	*120	25	60
100	410.3	404.32	*90	16	40	8.08	*110	20	55	*120	25	60
110	450.7	444.74	*90	16	40	8.70	*110	20	55	*120	25	60
114	466.9	460.91	*90	16	40	9.50	*110	20	55	*120	25	60
120	491.2	485.16	*90	16	40		*110	20	55	*120	25	60
125	511.3	505.37	*90	16	40		*110	20	55	*120	25	60

08B-1-2-3

SPROCKETS 1/2" × 5/16"

For chain Acc.to DIN 8187
ISO/R606



SPROCKETS

	mm
Tooth radius r ₃	13
Radius width C	1.3
Tooth width B ₁	7.2
Tooth width b ₁	7
Tooth width B ₂	21
Tooth width B ₃	34.9

CHAIN

	mm
Pitch	12.7
Internal width	7.75
Roller Φ	8.51

Material: C 45
*Weld on hub

Z	d _e	d _p	S	D	T
			D ₁	D ₂	D ₃
8	37.2	33.18	8	10	10
9	41.0	37.13	8	10	10
10	45.2	41.10	8	10	10
11	48.7	45.07	10	10	12
12	53.0	49.07	10	10	12
13	57.4	53.06	10	10	12
14	61.8	57.07	10	10	12
15	65.5	61.09	10	10	12
16	69.5	65.10	10	12	16
17	73.6	69.11	10	12	16
18	77.8	73.14	10	12	16
19	81.7	77.16	10	12	16
20	85.8	81.19	10	12	16
21	89.7	85.22	12	16	16
22	93.8	89.24	12	16	16
23	98.2	93.27	12	16	16
24	101.8	97.29	12	16	16
25	105.8	101.33	12	16	16
26	110.0	105.36	16	16	16
27	114.0	109.40	16	16	16
28	118.0	113.42	16	16	16
29	122.0	117.46	16	16	16
30	126.1	121.50	16	16	16
31	130.2	125.54	16	16	20
32	134.3	129.56	16	16	20
33	138.4	133.60	16	16	20
34	142.6	137.64	16	16	20
35	146.7	141.68	16	16	20
36	151.0	145.72	16	20	20
37	154.6	149.76	16	20	20
38	158.6	153.80	16	20	20
39	162.7	157.83	16	20	20
40	166.8	161.87	16	20	20
41	171.4	165.91	20	20	25
42	175.4	169.94	20	20	25
43	179.7	173.98	20	20	25
44	183.8	178.02	20	20	25
45	188.0	182.07	20	20	25
46	192.1	186.10	20	20	25
47	196.2	190.14	20	20	25
48	200.3	194.18	20	20	25
49	204.3	198.22	20	20	25
50	208.3	202.26	20	20	25
51	212.1	206.30	20	25	25
52	216.1	210.34	20	25	25
53	220.2	214.37	20	25	25
54	224.1	218.43	20	25	25
55	228.1	222.46	20	25	25
56	232.2	226.50	20	25	25
57	236.4	230.54	20	25	25
58	240.5	234.58	20	25	25
59	244.5	238.62	20	25	25
60	248.6	242.66	20	25	25
62	256.9	250.74	25	25	25
64	265.1	258.82	25	25	25
65	269.0	262.86	25	25	25
66	273.0	266.91	25	25	25
68	281.0	274.99	25	25	25
70	289.0	283.07	25	25	25
72	297.2	29			