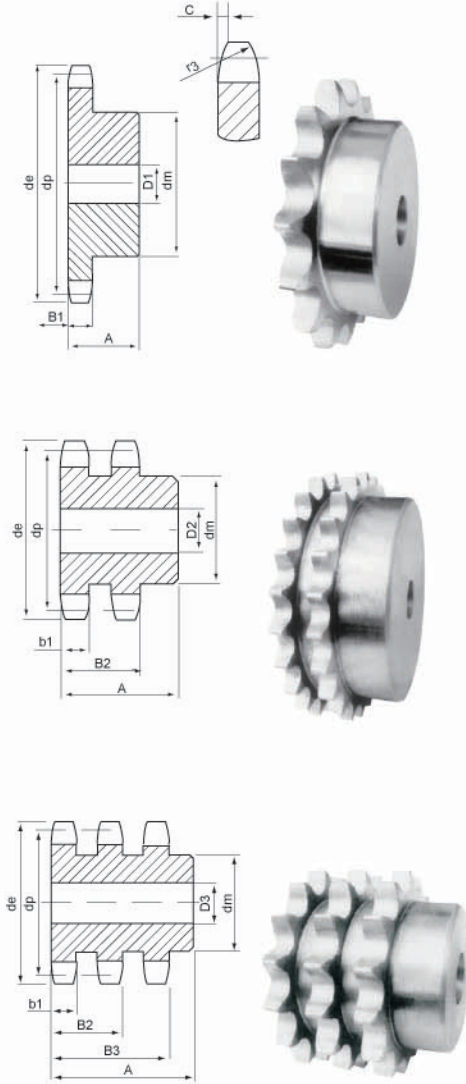


Z	d _e	d _p	SIMPLEX			WEIGHT kg	DUPLEX			TRIPLEX		
			d _m	D ₁	A		d _m	D ₂	A	d _m	D ₃	A
8	98.1	82.96	53	20	40	1.04	53	20	75	53	20	110
9	108.0	92.84	63	20	40	1.45	63	20	75	63	20	110
10	117.9	102.74	70	20	40	1.86	70	20	75	70	20	110
11	127.9	112.68	77	20	45	2.40	80	20	80	80	20	115
12	137.8	122.68	88	20	45	2.95	90	20	80	90	20	115
13	147.8	132.65	98	20	45	3.00	100	20	80	100	20	115
14	157.8	142.68	108	20	45	3.40	110	20	80	110	20	115
15	167.9	152.72	118	20	45	4.31	120	20	80	120	20	115
16	177.9	162.75	120	20	50	4.63	120	25	80	120	25	115
17	187.9	172.78	120	25	50	4.99	120	25	80	120	25	115
18	198.0	182.85	120	25	50	5.44	*120	25	80	*120	25	115
19	208.1	192.91	120	25	50	5.90	*120	25	80	*120	25	115
20	218.1	202.98	120	25	50	6.35	*120	25	80	*120	25	115
21	228.2	213.04	140	25	55	7.03	*140	25	80	*140	25	115
22	238.3	223.11	140	25	55	7.71	*140	25	80	*140	25	115
23	248.3	233.17	140	25	55	8.16	*140	25	80	*140	25	115
24	258.4	243.23	140	25	55	8.62	*140	25	80	*140	25	115
25	268.5	253.33	140	25	55	9.07	*140	25	80	*140	25	115
26	278.6	263.40	*150	25	55	9.53	*150	25	80	*150	25	115
27	288.6	273.49	*150	25	55	10.43	*150	25	80	*150	25	115
28	298.7	283.56	*150	25	55	11.34	*150	25	80	*150	25	115
29	308.8	293.65	*150	25	55	11.76	*150	25	80	*150	25	115
30	318.9	303.75	*150	25	55	12.02	*150	25	80	*150	25	115
31	329.0	313.85	*150	25	55	12.77	*150	25	80	*150	30	115
32	339.1	323.91	*150	25	55	13.52	*150	25	80	*150	30	115
33	349.2	334.01	*150	25	55	14.59	*150	25	80	*150	30	115
34	359.3	344.10	*150	25	55	15.66	*150	25	80	*150	30	115
35	369.4	354.20	*150	25	55	16.74	*150	25	80	*150	30	115
36	379.5	364.30	*150	25	55	17.51	*150	30	80	*150	30	115
37	389.5	374.39	*150	25	55	18.17	*150	30	80	*150	30	115
38	399.6	384.49	*150	25	55	18.82	*150	30	80	*150	30	115
39	409.7	394.59	*150	25	55	19.78	*150	30	80	*150	30	115
40	419.8	404.69	*150	25	55	21.27	*150	30	80	*150	30	115
41	429.9	414.77	*150	25	70	22.07	*160	30	90	*160	30	110
42	440.0	424.86	*150	25	70	22.86	*160	30	90	*160	30	110
43	450.1	434.96	*150	25	70	23.40	*160	30	90	*160	30	110
44	460.2	445.06	*150	25	70	23.95	*160	30	90	*160	30	110
45	470.3	455.17	*150	25	70	24.49	*160	30	90	*160	30	110
46	480.4	465.25	*150	25	70	26.31	*160	30	90	*160	30	110
47	490.5	475.35	*150	25	70	28.12	*160	30	90	*160	30	110
48	500.6	485.45	*150	25	70	29.94	*160	30	90	*160	30	110
49	510.7	495.55	*150	25	70	31.76	*160	30	90	*160	30	110
50	520.8	505.65	*150	25	70	33.57	*160	30	90	*160	30	110
51	530.9	515.75	*150	25	80	35.39	*160	30	100	*180	30	123
52	541.0	525.85	*150	25	80	37.21	*160	30	100	*180	30	123
53	551.1	535.95	*150	25	80	39.02	*160	30	100	*180	30	123
54	561.2	546.05	*150	25	80	32.90	*160	30	100	*180	30	123
55	571.3	556.15	*150	25	80	34.77	*160	30	100	*180	30	123
56	581.4	566.25	*150	25	80	36.63	*160	30	100	*180	30	123
57	591.5	576.35	*150	25	80	38.50	*160	30	100	*180	30	123
58	601.6	586.45	*150	25	80	40.37	*160	30	100	*180	30	123
59	611.7	596.56	*150	25	80	42.24	*160	30	100	*180	30	123
60	621.8	606.66	*150	25	80	44.10	*160	30	100	*180	30	123
62	642.0	626.86	*150	25	80	47.64	*160	30	100	*180	30	123
64	662.2	646.07	*150	25	80	51.18	*160	30	100	*180	30	123
65	672.3	657.17	*150	25	80	54.72	*160	30	100	*180	30	123
66	682.4	667.27	*150	25	80	58.26	*180	30	100	*200	30	123
68	702.6	687.48	*150	25	80	61.80	*180	30	100	*200	30	123
70	722.8	707.68	*150	25	80	65.36	*180	30	100	*200	30	123
72	743.1	727.89	*150	25	80	67.23	*180	30	100	*200	30	123
75	773.3	758.20	*150	25	80	69.11	*180	30	100	*200	30	123
76	783.3	768.32	*150	25	80	70.98	*180	30	100	*200	30	123
80	823.9	808.71	*150	25	80	74.70	*180	30	100	*200	30	123
85	874.4	859.23	*150	25	90	79.37	*180	30	100	*200	30	123
90	924.9	909.76	*150	25	90	84.03	*180	30	100	*200	30	123
95	975.5	960.28	*150	25	90	117.18	*180	30	100	*200	30	123
100	1026.0	1010.80	*150	25	90	120.79	*180	30	100	*200	30	123
114	1167.4	1152.26	*150	25	90	124.40	*180	30	100	*200	30	126

20B-1-2-3

SPROCKETS 1 1/4" x 3/4"

For chain Acc.to DIN 8187
ISO/R606



SPROCKETS	mm
Tooth radius r ₃	32
Radius width C	3.5
Tooth width B ₁	18.5
Tooth width b ₁	18.2
Tooth width B ₂	54.6
Tooth width B ₃	91
CHAIN	mm
Pitch	31.75
Internal width	19.56
Roller Φ	19.05
Material: C 45	
*Weld on hub	

Z	d _e	d _p	S	D	T
			D ₁	D ₂	D ₃
8	98.1	82.96	16	20	20
9	108.0	92.84	16	20	20
10	117.9	102.74	16	20	20
11	127.9	112.68	16	20	20
12	137.8	122.68	20	20	20
13	147.8	132.65	20	20	20
14	157.8	142.68	20	20	20
15	167.9	152.72	20	20	20
16	177.9	162.75	20	25	25
17	187.9	172.78	20	25	25
18	198.0	182.85	20	25	25
19	208.1	192.91	20	25	25
20	218.1	202.98	20	25	25
21	228.2	213.04	25	25	25
22	238.3	223.11	25	25	25
23	248.3	233.17	25	25	25
24	258.4	243.23	25	25	25
25	268.5	253.33	25	25	25
26	278.6	263.40	25	25	25
27	288.6	273.49	25	25	25
28	298.7	283.56	25	25	25
29	308.8	293.65	25	25	25
30	318.9	303.75	25	25	25
31	329.0	313.85	25	25	30
32	339.1	323.91	25	25	30
33	349.2	334.01	25	25	30
34	359.3	344.10	25	25	30
35	369.4	354.20	25	25	30
36	379.5	364.30	25	30	30
37	389.5	374.39	25	30	30
38	399.6	384.49	25	30	30
39	409.7	394.59	25	30	30
40	419.8	404.69	25	30	30
41	429.9	414.77	30	30	30
42	440.0	424.86	30	30	40
43	450.1	434.96	30	30	40
44	460.2	445.06	30	30	40
45	470.3	455.17	30	30	40
46	480.4	465.25	30	30	40
47	490.5	475.35	30	30	40
48	500.6	485.45	30	30	40
49	510.7	495.55	30	30	40
50	520.8	505.65	30	30	40
51	530.9	515.75	30	30	40
52	541.0	525.85	30	30	40
53	551.1	535.95	30	30	40
54	561.2	546.05	30	30	40
55	571.3	556.15	30	30	40
56	581.4	566.25	30	30	40
57	591.5	576.35	30	30	40
58	601.6	586.45	30	30	40
59	611.7	596.56	30	30	40
60	621.8	606.66	30	30	40
62	642.0	626.86	30	30	40
64	662.2	647.07	30	30	40
65	672.3	657.17	30	30	40
66	682.4	667.27	30	30	40
68	702.6	687.48	30	30	40
70	722.8	707.68	30	30	40
72	743.1	727.89	30	30	40
75	773.3	758.20	30	30	40
76	783.3	768.32	30	30	40
80	823.9	808.71	30	30	40
85	874.4	859.23	30	30	4