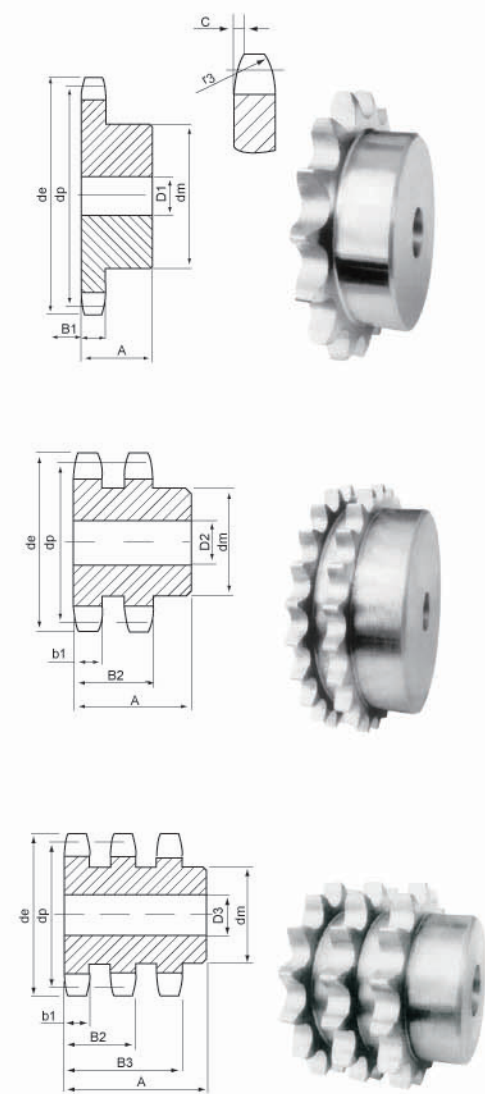


Z	d _e	d _p	SIMPLEX			WEIGHT kg	DUPLEX			TRIPLEX		
			d _m	D ₁	A		d _m	D ₂	A	d _m	D ₃	A
8	57.6	49.78	31	12	30	0.22	31	12	45	31	16	65
9	62.0	55.70	37	12	30	0.31	37	12	45	37	16	65
10	69.0	61.64	42	12	30	0.39	42	12	45	42	16	65
11	75.0	67.61	46	14	35	0.54	47	16	50	47	20	70
12	81.5	73.61	52	14	35	0.68	53	16	50	53	20	70
13	87.5	79.59	58	14	35	0.84	59	16	50	59	20	70
14	93.6	85.61	64	14	35	1.01	65	16	50	65	20	70
15	99.8	91.63	70	14	35	1.19	71	16	50	71	20	70
16	105.5	97.65	75	16	35	1.36	77	20	50	77	20	70
17	111.5	103.67	80	16	35	1.56	83	20	50	83	20	70
18	118.0	109.71	80	16	35	1.73	89	20	50	89	20	70
19	124.2	115.75	80	16	35	1.73	95	20	50	95	20	70
20	129.7	121.78	80	16	35	1.83	100	20	50	100	20	70
21	136.0	127.82	90	20	40	2.37	100	20	50	100	20	70
22	141.0	133.86	90	20	40	2.48	100	20	50	100	20	70
23	149.0	139.90	90	20	40	2.58	110	20	50	110	20	70
24	153.9	145.94	90	20	40	2.70	110	20	50	110	20	70
25	160.0	152.00	90	20	40	2.81	120	20	50	120	20	70
26	165.9	158.04	95	20	40	3.11	120	20	50	120	20	70
27	172.3	164.09	95	20	40	3.24	120	20	50	120	20	70
28	178.0	170.13	95	20	40	3.37	120	20	50	120	20	70
29	184.1	176.19	95	20	40	3.49	120	20	50	120	20	70
30	190.5	182.25	95	20	40	3.66	120	20	50	120	20	70
31	196.3	188.31	95	20	40	3.96	120	20	50	130	25	70
32	203.3	194.35	95	20	40	4.14	120	20	50	130	25	70
33	209.3	200.40	95	20	40	4.28	120	20	50	130	25	70
34	214.6	206.46	95	20	40	4.45	120	20	50	130	25	70
35	221.0	212.52	95	20	40	4.62	120	20	50	130	25	70
36	226.8	218.58	100	20	40	4.79	120	25	50	130	25	70
37	232.9	224.64	100	20	40	4.97	120	25	50	130	25	70
38	239.0	230.69	100	20	40	5.15	120	25	50	130	25	70
39	245.1	236.75	100	20	40	5.34	120	25	50	130	25	70
40	251.3	242.81	100	20	40	5.54	120	25	50	130	25	70
41	257.3	248.86	*110	20	56	5.72	*136	25	62	*140	25	70
42	264.5	254.92	*110	20	56	5.85	*136	25	62	*140	25	70
43	270.5	260.98	*110	20	56	5.98	*136	25	62	*140	25	70
44	276.5	267.03	*110	20	56	6.15	*136	25	62	*140	25	70
45	282.5	273.09	*110	20	56	6.30	*136	25	62	*140	25	70
46	287.9	279.15	*110	20	56	6.55	*136	25	62	*140	25	70
47	294.0	285.21	*110	20	56	6.80	*136	25	62	*140	25	70
48	300.1	291.27	*110	20	56	6.90	*136	25	62	*140	25	70
49	306.2	297.33	*110	20	56	6.96	*136	25	62	*140	25	70
50	312.3	303.39	*110	20	56	7.02	*136	25	62	*140	25	70
51	318.4	309.45	*110	20	56	7.11	*136	25	62	*140	25	70
52	324.5	315.51	*110	20	56	7.23	*136	25	62	*140	25	70
53	330.5	321.57	*110	20	56	7.30	*136	25	62	*140	25	70
54	336.6	327.63	*110	20	56	7.40	*136	25	62	*140	25	70
55	342.7	333.69	*110	20	56	7.51	*136	25	62	*140	25	70
56	348.7	339.75	*110	20	56	7.62	*136	25	62	*140	25	70
57	355.4	345.81	*110	20	56	7.75	*136	25	62	*140	25	70
58	361.5	351.87	*110	20	56	7.80	*136	25	62	*140	25	70
59	367.5	357.93	*110	20	56	7.85	*136	25	62	*140	25	70
60	373.0	363.99	*110	20	56	7.90	*136	25	62	*140	25	70
62	385.1	376.12	*110	20	56	8.10	*136	25	62	*140	25	70
64	397.2	388.24	*110	20	56	8.30	*140	25	63	*140	25	70
65	403.2	394.30	*110	20	56	8.50	*140	25	63	*140	25	70
66	409.3	400.36	*110	20	56	9.25	*140	25	63	*140	25	70
68	421.4	412.49	*110	20	56	9.63	*140	25	63	*140	25	70
70	433.6	424.61	*110	20	56	10.00	*140	25	63	*140	25	70
72	447.0	436.73	*110	20	56	11.20	*140	25	63	*140	25	70
75	463.9	454.92	*110	20	56	11.85	*140	25	63	*140	25	70
76	469.9	460.98	*110	20	56	12.50	*140	25	63	*140	25	70
78	482.1	473.10	*110	20	56	13.30	*140	25	63	*140	25	70
80	494.2	485.23	*110	20	56	14.10	*140	25	63	*140	25	70
85	524.5	515.54	*110	20	56	15.53	*140	25	63	*140	25	70
90	554.8	545.85	*110	20	56	16.96	*140	25	63	*140	25	70
95	585.1	576.17	*110	20	56	18.40	*140	25	63	*140	25	70
100	615.4	606.48	*110	20	56	19.60	*140	25	63	*140	25	70
110	676.1	667.11	*110	20	56	20.80	*140	25	63	*140	25	70
114	700.6	691.36	*110	20	56	22.00	*140	25	63	*140	25	70
120	736.7	727.74	*110	20	56		*140	25	63	*140	25	70
125	767.0	758.06	*110	20	56		*140	25	63	*140	25	70

12B-1-2-3

SPROCKETS 3/4" × 7/16"

For chain Acc.to DIN 8187
ISO/R606



SPROCKETS	mm
Tooth radius r ₃	19
Radius width C	2
Tooth width B ₁	11.1
Tooth width b ₁	10.8
Tooth width B ₂	30.3
Tooth width B ₃	49.8
CHAIN	mm
Pitch	19.05
Internal width	11.68
Roller Φ	12.07

Material: C 45
***Weld on hub**

Z	d _e	d _p	S	D	T
			D ₁	D ₂	D ₃
8	57.6	49.78	10	12	12
9	62.0	55.70	10	12	12
10	69.0	61.64	10	12	12
11	75.0	67.61	12	14	16
12	81.5	73.61	14	14	16
13	87.5	79.59	14	14	16
14	93.6	85.61	14	14	16
15	99.8	91.63	14	14	16
16	105.5	97.65	14	14	16
17	111.5	103.67	14	14	16
18	118.0	109.71	14	16	16
19	124.2	115.75	14	16	16
20	129.7	121.78	14	16	16
21	136.0	127.82	16	16	20
22	141.0	133.86	16	16	20
23	149.0	139.90	16	16	20
24	153.9	145.94	16	16	20
25	160.0	152.00	16	16	20
26	165.9	158.04	16	20	20
27	172.3	164.09	16	20	20
28	178.0	170.13	16	20	20
29	184.1	176.19	16	20	20
30	190.5	182.25	16	20	20
31	196.3	188.31	20	20	25
32	203.3	194.35	20	20	25
33	209.3	200.40	20	20	25
34	214.6	206.46	20	20	25
35	221.0	212.52	20	20	25
36	226.8	218.58	20	25	25
37	232.9	224.64	20	25	25
38	239.0	230.69	20	25	25
39	245.1	236.75	20	25	25
40	251.3	242.81	20	25	25
41	257.3	248.86	25	25	25
42	264.5	254.92	25	25	25
43	270.5	260.98	25	25	25
44	276.5	267.03	25	25	25
45	282.5	273.09	25	25	25
46	287.9	279.15	25	25	25
47	294.0	285.21	25	25	25
48	300.1	291.27	25	25	25
49	306.2	297.33	25	25	25
50	312.3	303.39	25	25	25
51	318.4	309.45	25	25	25
52	324.5	315.51	25	25	25
53	330.5	321.57	25	25	25
54	336.6	327.63	25	25	25
55	342.7	333.69	25	25	25
56	348.7	339.75	25	25	30
57	355.4	345.81	25	25	30
58	361.5	351.87	25	25	30
59	367.5	357.93	25	25	30
60	373.0	363.99	25	25	30
62	385.1	376.12	25	30	30
64	397.2	388.24	25	30	30
65	403.2	394.30	25	30	30
66	409.3	400.36	30	30	30
68	421.4	412.49	30	30	30
70	433.6	424.61	30	30	30
72	447.0	436.73	30	30	30
75					