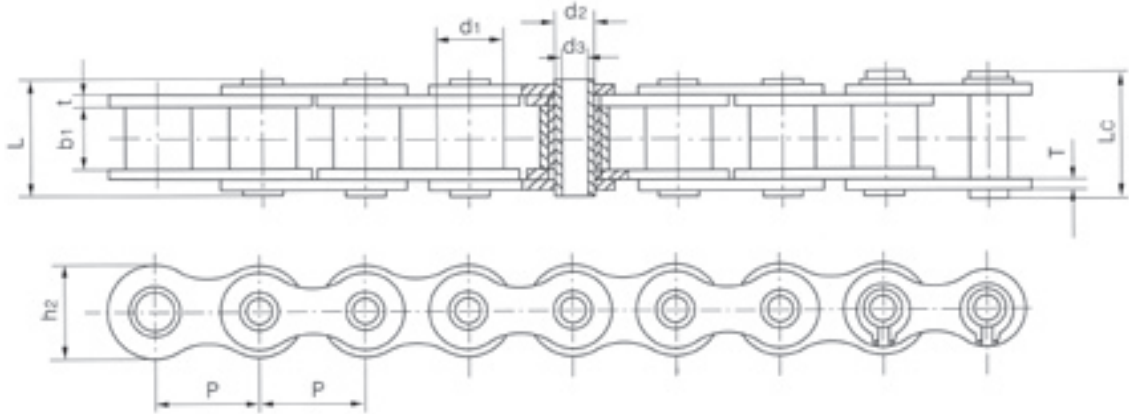


Hollow Pin Chains British Standard



Chain No.	Pitch	Roller diameter	Width between inner plates	Pin diameter		Pin length		Inner plate depth	Plate thickness	Ultimate tensile strength	Average tensile strength	Weight per meter	Type
	P	d1 max	b1 min	d2 max	d3 max	L max	Lc max	h2 max	t/T max	Q min	Qo	q	
	mm	mm	mm	mm	mm	mm	mm	mm	mm	KN	KN	Kg/m	
08BHP	12.700	8.510	7.75	6.37	4.00	16.7	18.0	11.8	1.6	11.00	12.4	0.61	A
10BHB	15.875	10.16	9.65	5.94	4.04	19.3	20.6	14.7	1.70	17.00	20.8	0.86	A
12BHB	19.050	12.07	11.68	6.50	4.00	21.6	22.8	15.9	1.85	23.60	25.9	1.09	A
16BHB	25.400	15.88	12.70	9.53	7.05	30.8	32.2	23.0	4.15/3.1	40.00	45.0	2.28	A

