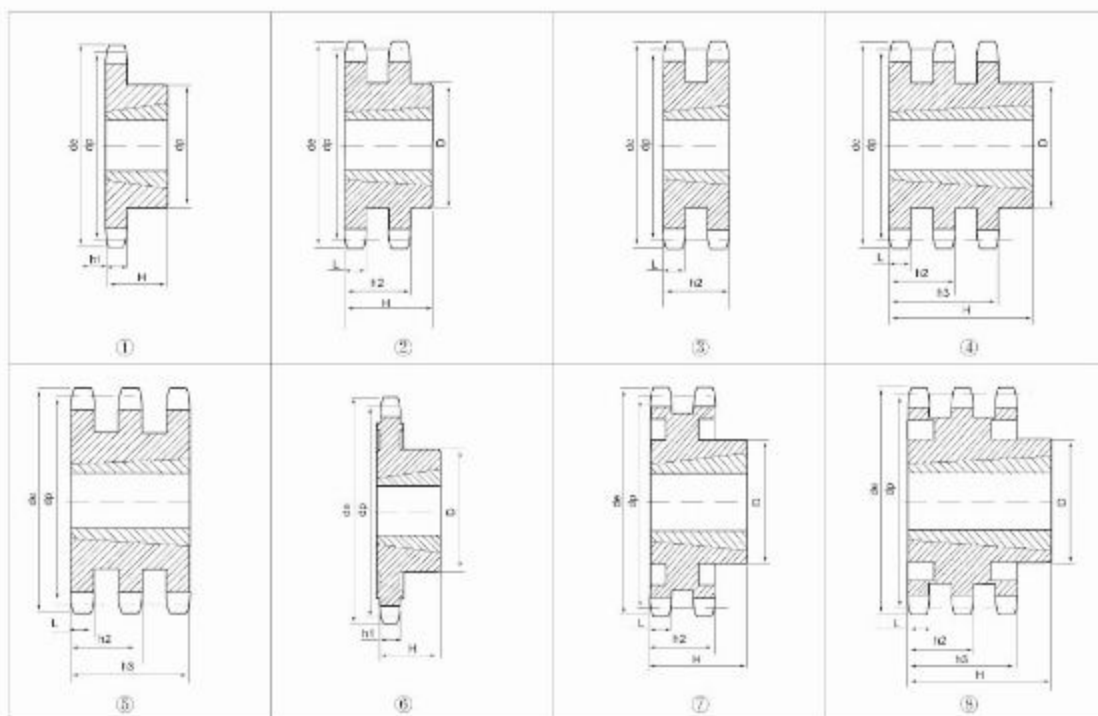


For Roller Chains DIN 8187-ISO/R606



3/8" × 7/32"

Steel=C45
*Cast iron=G22

06B-1-2-3 9.525 × 5.72mm DIN8187 ISO/R 606

CHAIN	ISO mm	SPROCKETS	ISO mm
Pitch	9.525	Tooth radius r	10
Internal width	5.72	Radius width C	1
Roller Φ	6.35	Tooth width h ₁	5.3
		Tooth width L	5.2
		Tooth width h ₂	15.4
		Tooth width h ₃	25.6

Z	de	dp	TS				TD				TT			
			D	H	for Bush	Type	D	H	for Bush	Type	D	H	for Bush	Type
17	55.3	51.83	45	22	1008	1	41	22	1008	2	-	25.6	1008	5
19	61.3	57.87	45	22	1008	1	48	22	1008	2	-	25.6	1008	5
21	68.0	63.91	46	22	1008	1	49	22	1008	2	-	25.6	1008	5
23	73.5	69.95	63	25	1210	1	59	25	1210	2	-	25.6	1210	5
25	80.0	76.02	63	25	1210	1	64	25	1210	2	-	25.6	1210	5
27	86.0	82.2	63	25	1210	1	70	25	1210	2	-	25.6	1210	5
30	94.7	91.12	63	25	1210	1	75	25	1210	2	78	38	1615	4
*38	119.5	115.35	70	25	1210	1	80	25	1610	2	90	38	1615	4
*45	140.7	136.55	70	25	1210	1	80	25	1610	2				
*57	178.9	172.91	70	25	1210	6	80	25	1610	7				
*76	234.9	230.49	70	25	1210	6	80	25	1610	7				
*95	292.5	286.08	80	25	1210	6	90	25	1610	7				
*114	349.5	345.66	80	25	1210	6	95	38	1615	7				