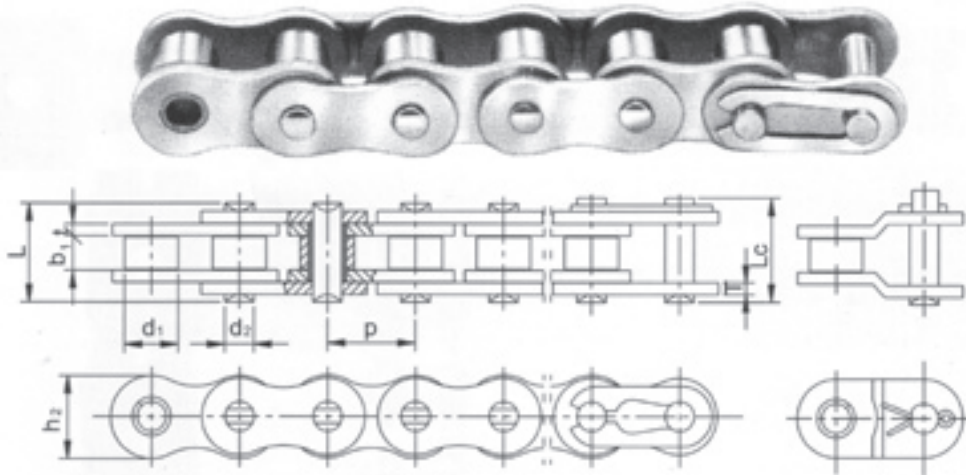


American & British Standard Stainless Steel Roller Chain

Stainless steel chains are suitable for operation in an environment requiring high thermal resistance (-20°C to 400°C), corrosion resistance and cleanliness. They can be also fitted with attachments for conveyor purposes.



Chain No.	Pitch	Roller diameter	Width between inter plates	Pin diameter	Pin Length		Inner plate depth	Plate thickness	Ultimate tensile strength	Average tensile strength	Weight per meter
	P	d ₁ max	b ₁ min	d ₂ max	L max	Lc max	h ₂ max	t/T	Q(ISO/DIN) min	Q ₀	q =
	mm	mm	mm	mm	mm	mm	mm	mm	kN/LB	kN	kg/m
*35SS	9.53	5.08	4.77	3.58	12.40	13.17	9.00	1.30	5.50	6.60	0.33
40SS	12.70	7.95	7.85	3.96	16.60	17.80	12.20	1.50	9.70	11.60	0.63
50SS	15.88	10.16	9.40	5.08	20.70	22.2	15.09	2.06	15.30	18.50	1.03
60SS	19.05	11.91	12.57	5.94	25.9	27.70	18.00	2.44	21.80	26.40	1.51
80SS	25.40	15.88	15.75	7.92	32.7	35.00	24.00	3.26	38.90	46.60	2.62
100SS	31.75	19.05	18.90	9.53	40.40	44.70	30.00	4.00	59.00	70.20	3.94
#06BSS	9.53	6.35	5.72	3.28	13.15	14.10	8.20	1.30	6.20	7.30	0.41
08BSS	12.70	8.51	7.75	4.45	16.70	18.20	11.80	1.60	12.00	14.30	0.70
10BSS	15.88	10.16	9.65	5.08	19.50	20.90	14.70	1.70	14.50	17.20	0.94
12BSS	19.05	12.07	11.68	5.72	22.50	24.20	16.00	1.85	18.50	22.00	1.16
16BSS	25.40	15.88	17.02	8.28	36.10	37.40	21.00	4.15/3.10	40.00	47.60	2.13
20BSS	31.75	19.05	19.56	10.19	41.30	45.00	26.40	4.50/3.50	59.00	69.60	3.73

*Bushing chain : d₁ in the table indicates the external diameter of the bushing

#Straight side plates