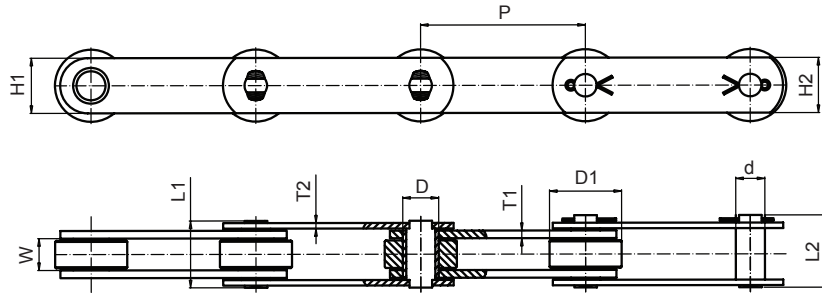
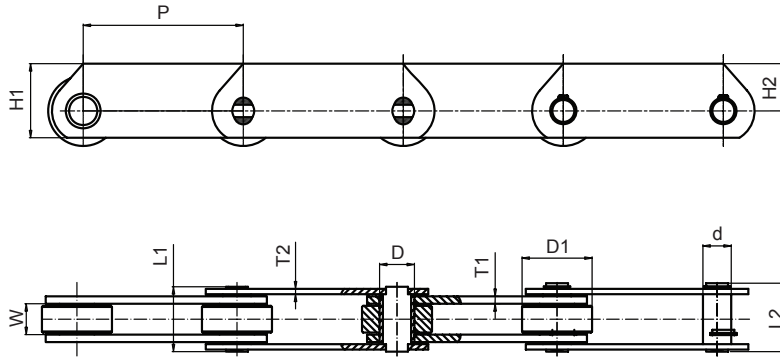


Solid Pin Conveyor Chain



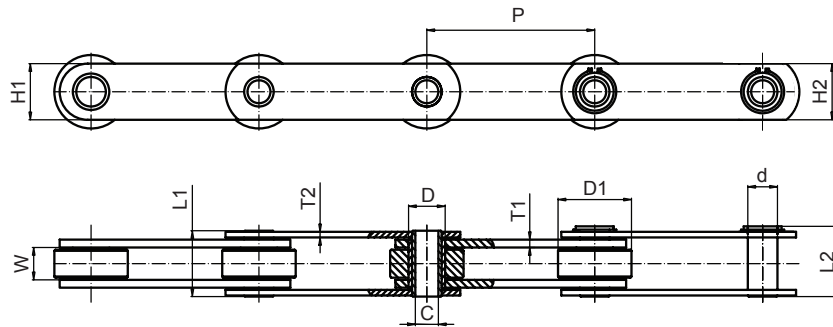
Minimum Breaking Load (lbs)	Pitch (P)		Roller Width (W)	Roller Dia D1	Bush Dia D	Solid Pin Dia d	Solid Pin length (Max) L1	Connecting pin length (Max) L2	Inner Plate		Outer Plate		Avg Wt/ft in (kg)
	INCH	METRIC							Height H1	Thickness T1	Height H2	Thickness T2	
7500	2.0	50.80	15.24	31.75	18.00	14.27	40.6	50.8	25.0	5.0	25.00	5.0	1.3
	3.0	76.20											1.2
	4.0	101.60											1.0
	6.0	152.40											0.9
15000	3.0	76.20	19.05	47.62	23.8	19.05	48.26	57.0	40.0	6.0	40.0	6.0	2.3
	4.0	101.60											2.0
	5.0	127.00											1.8
	6.0	152.40											1.6
	8.0	203.20											1.4
30000	4.0	101.60	25.40	66.67	33.0	27.0	61.98	74.0	50.0	8.0	50.0	6.0	4.3
	5.0	127.00											3.7
	6.0	152.40											3.4
	7.0	177.80											3.1
	8.0	203.20											2.9
	9.0	228.60											2.9
	10.0	254.00											???
	12.0	304.80											2.5
45000	6.0	152.40	38.10	88.90	38.10	31.75	84.13	110.5	65.0	10.0	65.0	8.0	7.1
	8.0	203.20											5.9
	9.0	228.60											5.5
	12.0	304.80											4.6
60000	6.0	152.40	38.10	88.90	38.10	31.75	84.13	110.5	65.0	10.0	65.0	8.0	7.1
	9.0	228.60											5.6
	12.0	304.80											4.6
85000	6.0	152.40	38.10	88.90	38.10	31.75	82.86	118.4	65.0	12.0	65.0	10.00	9.7
	9.0	228.60											8.3
	12.0	304.80											7.1

High Side Plate Conveyor Chain



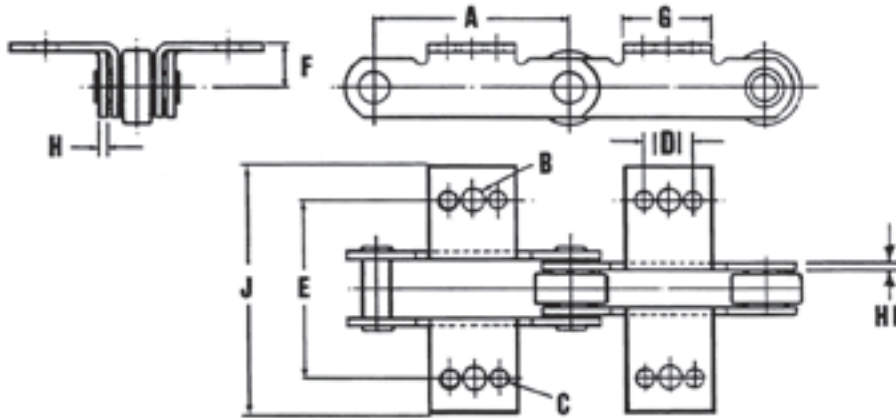
Minimum Breaking Load (lbs)	Pitch (P)		Roller Width (W)	Roller Dia D1	Bush Dia D	Solid Pin Dia d	Solid Pin length (Max) L1	Connecting pin length (Max) L2	Inner Plate		Outer Plate		Avg Wt/ft in (kg)
	INCH	METRIC							Height H1	Thickness T1	Height H2	Thickness T2	
7500	2.0	50.80	15.24	31.75	18.00	14.27	40.6	50.8	40.0	5.0	27.5	5.0	2.0
	3.0	76.20											1.7
	4.0	101.60											1.6
	6.0	152.40											1.4
15000	3.0	76.20	19.05	47.62	23.8	19.05	48.26	57.0	50.0	6.0	30.0	5.0	2.7
	4.0	101.60											2.5
	5.0	127.00											2.2
	6.0	152.40											2.0
	8.0	203.20											1.9
30000	4.0	101.60	25.40	66.67	33.0	27.0	61.98	74.0	75.0	8.0	50.0	6.0	5.1
	5.0	127.00											4.5
	6.0	152.40											4.1
	7.0	177.80											3.8
	8.0	203.20											3.3
	9.0	228.60											3.4
	10.0	254.00											???
	12.0	304.80											3.2
45000	6.0	152.40	38.10	88.90	38.10	31.75	84.3	110.5	90.0	10.0	61.0	8.0	8.2
	8.0	203.20											-
	9.0	228.60											-
	12.0	304.80											-
60000	6.0	152.40	38.10	88.90	38.10	31.75	84.13	110.5	90.0	10.0	65.0	8.0	8.1
	9.0	228.60											6.6
	12.0	304.80											5.5
85000	6.0	152.40	38.10	88.90	38.10	31.75	82.86	118.4	90.0	12.0	65.0	10.00	10.7
	9.0	228.60											???
	12.0	304.80											8.3

Hollow Pin Conveyor Chain

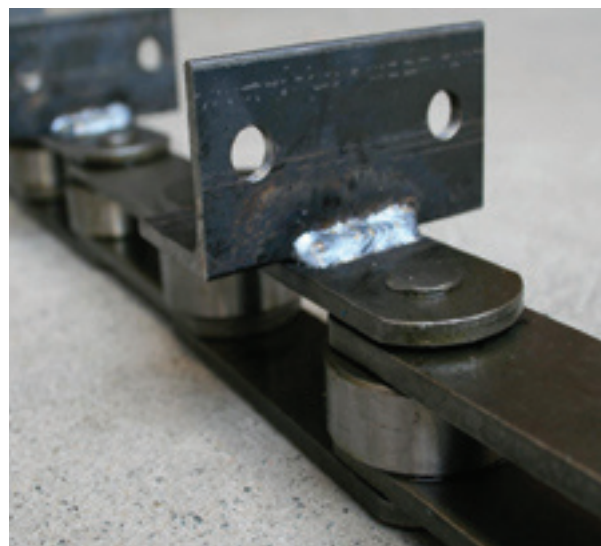


Minimum Breaking Load (lbs)	Pitch (P)		Roller Width (W)	Roller Dia D1	Bush Dia D	Hollow Pin Bore Dia (Min) C	Hollow Pin Bore Dia (Min) D	Hollow Pin Length L1	Connecting pin length L2	Inner Plate		Outer Plate	
	INCH	METRIC								Height H1	Thickness T1	Height H2	Thickness T2
6000	2.0	50.80	15.24	31.75	18.00	10.0	14.27	40.2	40.6	25.0	5.0	23.0	5.0
	3.0	76.20											
	4.0	101.60											
	6.0	152.40											
12000	3.0	76.20	19.05	47.62	23.8	13.21	19.05	46.2	49.1	40.0	6.0	40.0	5.0
	4.0	101.60											
	5.0	127.00											
	6.0	152.40											
	8.0	203.20											
24000	4.0	101.60	27.0	66.67	33.0	20.2	27.0	61.2	63.8	50.0	8.0	50.0	6.0
	5.0	127.00											
	6.0	152.40											
	7.0	177.80											
	8.0	203.20											
	9.0	228.60											
	10.0	254.00											
	12.0	304.80											
36000	6.0	152.40	38.10	88.90	38.10	23.4	31.75	82.8	86.0	65.0	10.0	65.0	8.0
	8.0	203.20											
	9.0	228.60											
	12.0	304.80											

Conveyor Chain Attachments



CHAIN- BREAKING LOAD			ATTACHMENT HOLES					PLATFORM DETAILS				EXTRA	
HOLLOW PIN	SOLID PIN	PITCH A	NUMBER HOLES	DIAM.		CENTRES		HEIGHT	LENGTH	THICK		Clearance	WEIGHT
				B	C	D	E			H	HI		
6,000	7,500	2	1	10.7	—	—	76.2	19	35.7	5	5	102.8	0.04
6,000	7,500	3	3	10.7	9.2	31.7	76.2	19	51.5	5	5	102.8	0.05
6,000	7,500	4	3	10.7	9.2	32.1	76.2	19	61.3	5	5	102.8	0.08
6,000	7,500	6	3	10.7	9.2	57.1	76.2	19	76.5	5	5	102.8	0.14
12,000	15,000	3	3	13.8	10.7	31.7	88.9	31.7	69.8	5	6	127.0	0.10
12,000	15,000	4	3	13.8	10.7	31.7	88.9	31.7	67.8	5	6	152.4	0.12
12,000	15,000	6	3	13.8	10.7	56.1	88.9	31.7	102.7	5	6	152.4	0.18
24,000	30,000	6	3	13.8	12.3	56.1	107.9	38.1	83.8	6	8	171.4	0.23
24,000	30,000	9	2	—	12.3	114.3	107.9	38.1	152.4	6	8	171.4	0.52



Conveyor Chain Sprocket Pitch Diameters



CHAIN PITCH DIAMETER (mm)								
NO.OF TEETH	2" PITCH	3" PITCH	4" PITCH	5" PITCH	6" PITCH	8" PITCH	9" PITCH	12" PITCH
6	101.6	152.4	203.2	254	304.8	406.4	457.2	609.6
7	117.1	175.5	234.2	292.6	351.3	468.4	526.8	702.6
8	132.7	199.1	265.5	331.9	398.4	531.0	597.3	795.4
9	148.5	222.8	297.1	371.3	445.6	594.2	668.4	891.2
10	164.4	246.6	328.8	411.0	493.2	657.6	739.7	986.3
11	180.3	270.4	360.6	450.7	540.9	721.2	811.3	1081.7
12	196.3	297.4	392.6	490.7	588.9	785.2	883.3	1177.7
13	212.3	318.4	424.6	530.7	636.9	849.2	955.3	
14	228.3	342.4	456.6	570.7	684.9	913.2	1027.3	
15	244.3	366.5	488.7	610.9	733.0	977.4	1099.6	
16	260.4	390.8	520.8	651.0	781.2	1041.6	1171.8	
17	276.5	414.7	552.9	691.1	829.4	1105.8		
18	292.5	438.8	585.1	731.4	877.7	1170.2		
19	308.7	463.0	617.3	771.7	926.0			
20	324.7	487.1	649.4	811.8	974.1			
21	340.8	511.3	681.7	852.2	1022.6			
22	357.0	535.5	713.9	892.4	1070.9			
23	373.1	559.6	746.2	932.7	1119.2			
24	389.2	583.8	778.4	972.9	1167.5			