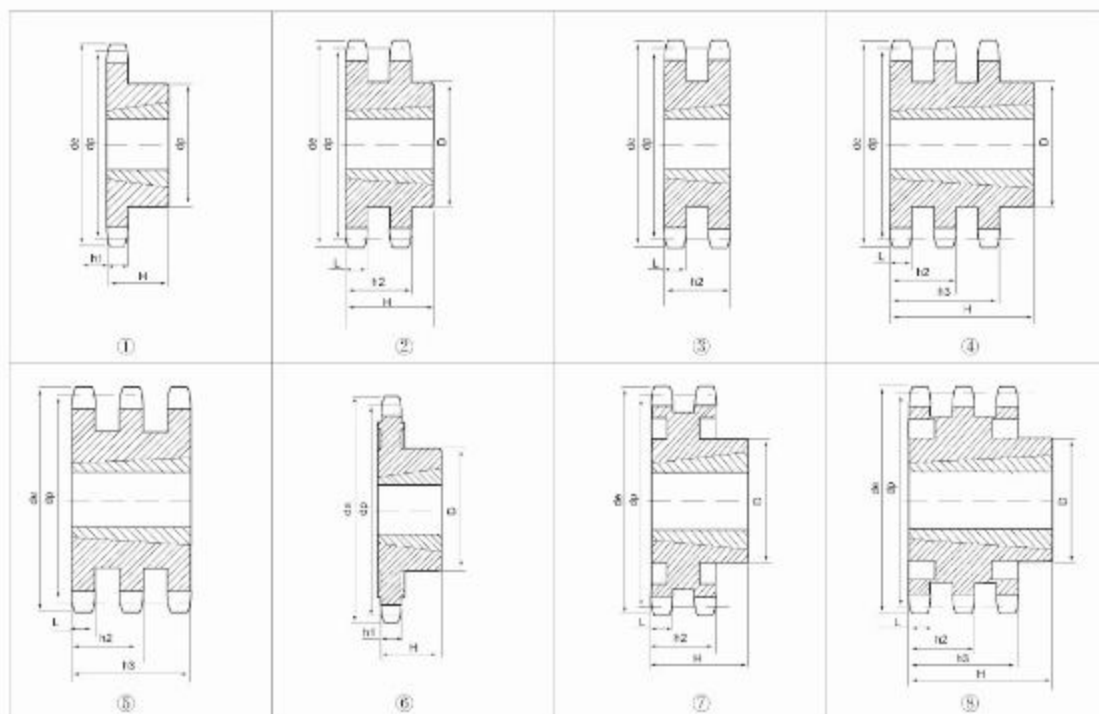


# Taper Bore Sprockets

CHANGZHOU MACHINERY & EQUIPMENT IMP. & EXP.CO.,LTD.

## For Roller Chains DIN 8187-ISO/R606



3/4" × 7/16"

12B-1-2-3 19.05 × 11.68mm DIN 8187 ISO/R 606

Steel=C45

\*Cast iron=G22

CHAIN	ISO mm	SPROCKETS	ISO mm
Pitch	19.05	Tooth radius r	19
Internal width	11.68	Radius width C	2
Roller Φ	12.07	Tooth width h <sub>1</sub>	11.1
		Tooth width L	10.8
		Tooth width h <sub>2</sub>	30.3
		Tooth width h <sub>3</sub>	49.8

Z	de	dp	TS				TD				TT					
			D	H	for Bush	Type	D	H	for Bush	Type	D	H	for Bush	Type		
13	87.5	79.59	60	25	1210	1	-	-	-	-	-	-	-	-	-	-
15	99.8	91.63	70	25	1610	1	-	30.3	1610	3	-	49.8	1615	5	-	-
17	111.5	103.67	76	25	1610	1	-	30.3	1610	3	-	49.8	1615	5	-	-
19	124.2	115.75	90	32	2012	1	90	32	2012	2	-	49.8	2012	5	-	-
21	136.0	127.82	102	45	2517	1	108	45	2517	2	-	49.8	2517	5	-	-
23	148.0	139.90	108	45	2517	1	108	45	2517	2	-	49.8	2517	5	-	-
25	160.0	152.00	108	45	2517	1	108	45	2517	2	-	49.8	2517	5	-	-
27	172.3	164.00	108	45	2517	1	108	45	2517	2	140	51	3020	4	-	-
30	190.5	182.25	108	45	2517	1	108	45	2517	2	140	51	3020	4	-	-
38	239.0	230.69	108	45	2517	1	140	51	3020	2	140	51	3020	4	-	-
45	282.5	273.10	108	45	2517	6	140	51	3020	7	140	51	3020	8	-	-
*57	355.4	345.81	108	45	2517	6	140	51	3020	7	140	51	3020	8	-	-
*76	469.9	460.99	108	45	2517	6	140	51	3020	7	140	51	3020	8	-	-
*95	585.1	576.17	108	45	2517	6	140	51	3020	7	140	76	3030	8	-	-
*114	700.6	691.36	108	64	2525	6	140	76	3020	7	140	76	3030	8	-	-