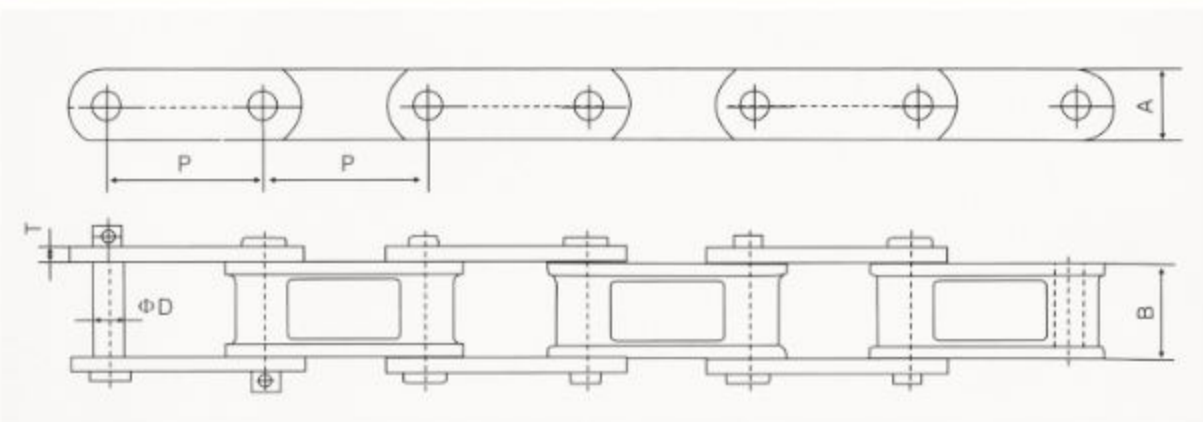


Casted chain



链号 Chain Number	pitch mm	A mm	B mm	D mm	T mm	MAX.Allow Load LBS	AVG.UT Strength LBS	Weight KG/FT
C55	41.42	19	32	9.5	4.8	1110	9000	0.97
C55L	41.42	19	32	10	4.8	1110	9000	1.25
C77	58.62	22	32	11.1	4.8	1360	11000	1.03
C188	66.27	29	39.6	12.7	5.8	1950	14000	1.6
C188L	66.27	29	39.6	14.3	5.8	1950	14000	1.6
C1028	101.6	38	73	16	9	4000	24000	2.85
C111	120.9	44	86	19	9	5950	36000	5.6
C131	78.1	38	52	16	9	3220	24000	3.3
C132	152.4	50.8	111	25.4	12	8330	50000	6.57