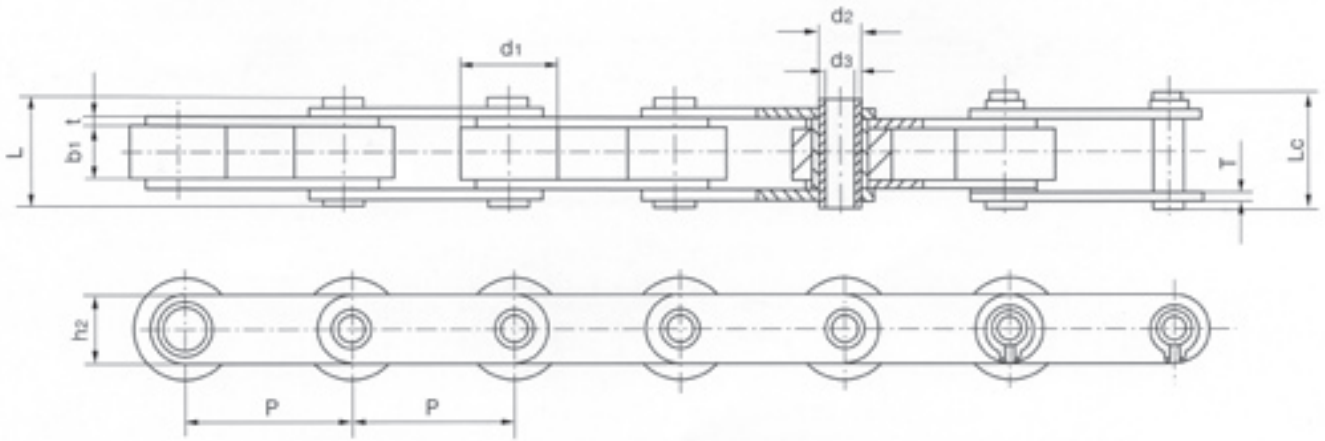


Hollow Pin Chains

American Standard Double Pitch



Chain No.	Pitch	Roller diameter	Width between inner plates	Pin diameter		Pin length		Inner plate depth	Plate thickness	Ultimate tensile strength	Average tensile strength	Weight per meter
	P	d1 max	b1 min	d2 max	d3 max	L max	Lc max	h2 max	t/T max	Q min	Qo	q
	mm	mm	mm	mm	mm	mm	mm	mm	mm	KN	KN	Kg/m
C2042HP	25.40	15.88	7.85	5.63	4.00	16.5	17.6	12.0	1.50	11.0	12.6	0.78
C2052HP	31.75	19.05	9.53	7.22	5.12	20.5	21.8	15.0	2.03	20.4	22.8	1.25
C2062HP	38.10	22.23	12.70	8.33	6.00	25.9	26.8	18.0	2.42	24.0	27.1	1.72
C2082HP	50.80	28.58	15.75	11.40	8.05	32.4	33.8	24.0	3.25	50.0	55.2	2.82
C2052HPF1	31.75	19.05	9.40	7.03	5.12	20.0	21.5	15.3	1.85	15.0	17.3	1.21
C2042H-HP	25.40	15.88	7.85	5.63	4.00	18.8	19.9	12.0	2.03	11.0	13.2	0.95
C2052H-HP	31.75	19.05	9.53	7.22	5.12	22.1	23.4	15.0	2.42	20.4	23.5	1.44
C2062H-HP	38.10	22.23	12.70	8.33	6.00	29.2	30.2	17.0	3.25	24.0	27.6	1.99
C2082H-HP	50.80	28.58	15.75	11.40	8.05	36.2	37.6	24.0	4.00	50.0	56.5	3.26