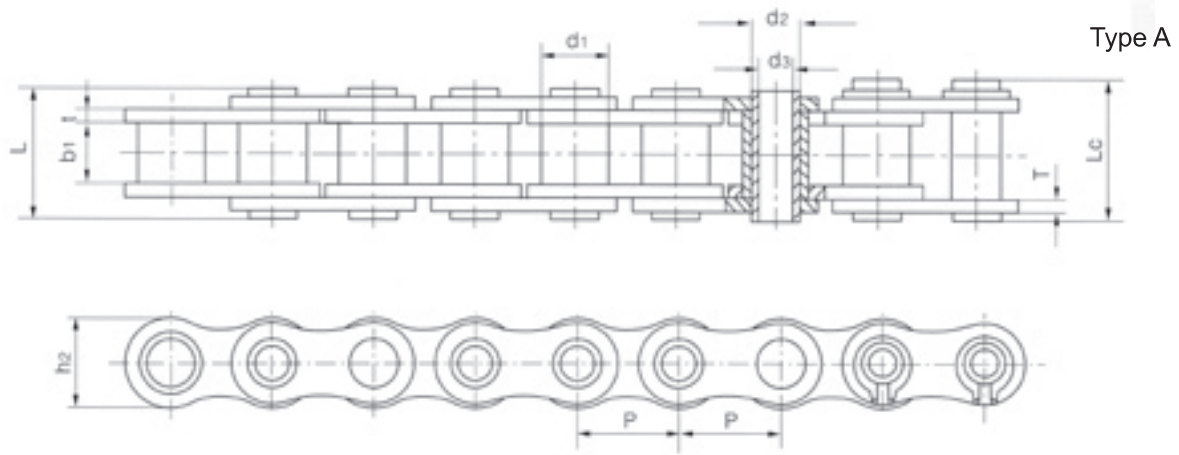
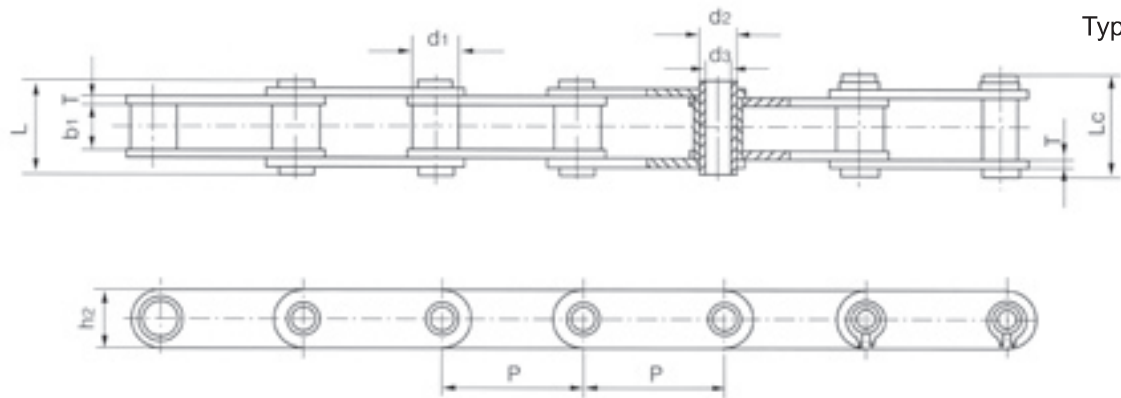


Hollow Pin Chains American Standard



Type A



Type B

Chain No.	Pitch	Bush diameter	Width between inner plates	Pin diameter		Pin length		Inner plate depth	Plate thickness	Ultimate tensile strength	Average tensile strength	Weight per meter	Type
	P	d1 max	b1 min	d2 max	d3 max	L max	Lc max	h2 max	t/T max	Q min	Qo	q	
	mm	mm	mm	mm	mm	mm	mm	mm	mm	KN	KN	Kg/m	
40HP	12.700	7.95	7.85	5.63	4.00	16.5	17.6	12.00	1.50	11.0	12.2	0.54	A
50HP	15.875	10.16	9.40	7.03	5.13	20.7	21.9	15.09	2.03	20.0	22.6	0.91	A
60HP	19.050	11.91	12.70	8.31	6.00	25.9	26.8	18.00	2.42	24.0	26.9	1.29	A
80HP	25.400	15.88	15.75	11.40	8.05	32.7	33.8	24.00	3.25	50.0	58.3	2.26	A
C2040HP	25.400	7.95	7.85	5.63	4.00	16.5	17.6	12.00	1.50	11.0	12.6	0.46	B
C2050HP	31.750	10.16	9.40	7.03	5.13	20.7	21.9	15.00	2.03	20.4	22.8	0.76	B
C2060HP	38.100	11.91	12.70	8.33	6.00	25.9	26.8	18.00	2.42	24.0	27.1	1.02	B
C2080HP	50.800	15.88	15.75	11.50	8.05	32.5	33.8	24.00	3.25	50.0	55.2	1.81	B