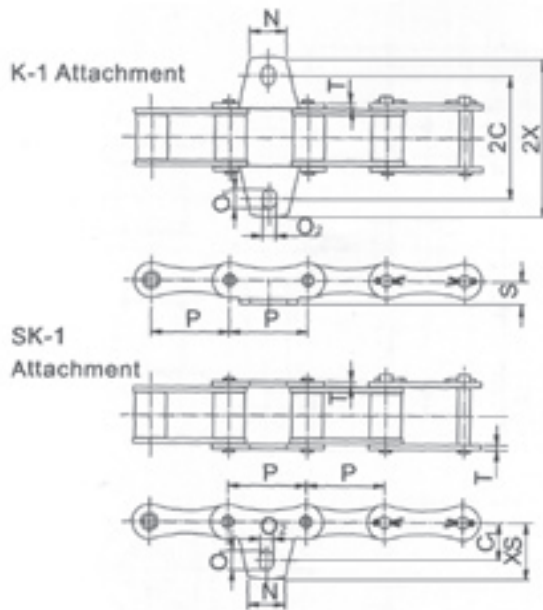


# Agricultural Roller Chain Attachments



Roller link with A-1 Attachment



Roller link with K-1 Attachment



Pin link with A-1 Attachment



Pin link with K-1 Attachment



Roller link with SA-1 Attachment



Roller link with SK-1 Attachment

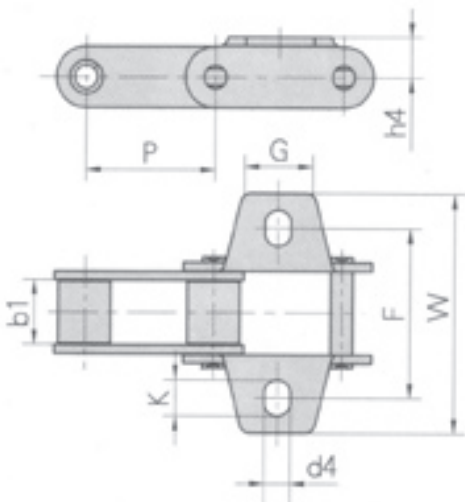


Pin link with SA-1 Attachment



Pin link with SK-1 Attachment

Chain No.	Pitch	Attachment dimensions									Additional weight per A-Attachement kg/att
	P	2C	C <sub>1</sub>	N	O <sub>1</sub>	O <sub>2</sub>	S	T	2X	XS	h <sub>2</sub>
	mm	mm	mm	mm	mm	mm	mm	mm	mm	mm	mm
S32	29.21	42.86	17.3	17.0	6.80	5.2	8.6	1.5	59.9	25.9	0.003
S42	34.93	54.00	23.6	23.6	10.10	6.9	14.0	2.5	75.0	34.2	0.013
S52	38.10	58.70	22.1	16.0	8.50	6.9	11.4	2.5	76.5	30.8	0.010
S55	41.40	54.00	19.8	22.0	10.10	6.9	11.4	2.5	74.0	29.9	0.012
S45	41.40	54.00	19.8	22.0	10.10	6.9	11.4	2.5	74.0	29.9	0.010
S62	41.91	66.70	24.6	24.0	13.20	6.9	11.4	2.5	95.3	38.6	0.011
S77	58.3	76.2	38.1	21.5	11.5	8.3	20.8	4.0	101.6		
S88	66.3	96.9	48.4	27.0	9.9	8.3	20.8	4.0	119.4		



Chain No.	P	b <sub>1</sub>	G	F	W	h <sub>4</sub>	d <sub>4</sub>	K
	mm	mm	mm	mm	mm	mm	mm	mm
CA550K1	41.4	19.81	22.0	52.5	76.2	12.7	8.3	10.0
CA557K1	41.4	20.24	22.0	50.8	72.0	15.9	8.7	8.7