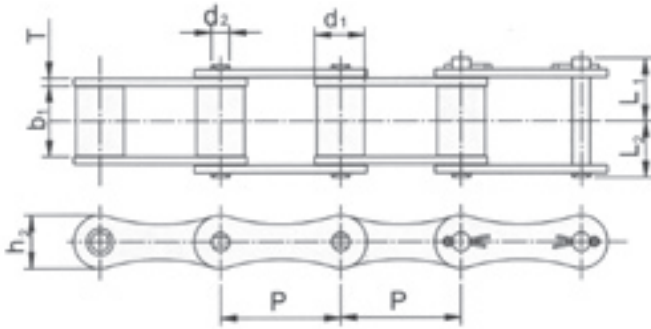
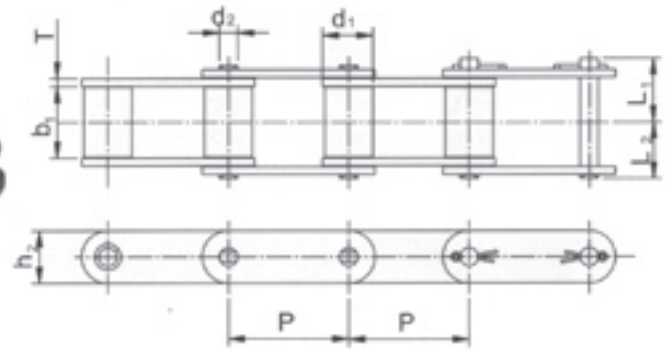


# Agricultural Roller Chain

## 1. S Type



## 2. CA Type



Chain No.	Pitch	Roller diameter	Width between inter plates	Pin			Plate		Ultimate tensile strength	Weight per meter
	P	d <sub>1</sub>	b <sub>1</sub>	d <sub>2</sub>	L <sub>1</sub>	L <sub>2</sub>	T	h <sub>2</sub>	Q(min)	q =
	mm	mm	mm	mm	mm	mm	mm	mm	kgf	kg/m
S32	29.21	11.43	15.9	4.44	14.45	13.05	1.5	12.8	900	0.75
S42	34.93	14.27	19.1	7.00	19.05	16.85	2.5	19.0	3000	1.61
S52	38.10	15.24	22.2	5.72	20.80	18.40	2.5	16.4	2000	1.57
S55	41.40	17.78	22.2	5.72	20.80	18.40	2.5	16.6	2000	1.64
S45	41.40	15.24	22.2	5.72	20.80	18.40	2.5	16.6	2000	1.44
S62	41.91	19.05	25.4	5.72	20.75	20.05	2.5	16.8	2900	1.87
S77	58.34	18.26	22.23	8.90	27.8	21.6	4.0	26.2	4590	2.65
S88	66.27	22.86	28.58	8.90	28.1	24.9	4.0	26.2	4590	3.25
CA550	41.40	16.80	20.2	7.15	20.85	17.35	2.7	20.0	5100	1.95
CA557	41.4	17.79	20.2	6.0	22.2	18.7	3.2	23.1	5560	2.2
CA620	42.01	17.68	25.0	7.15	24.15	21.05	3.2	20.0	5100	2.38