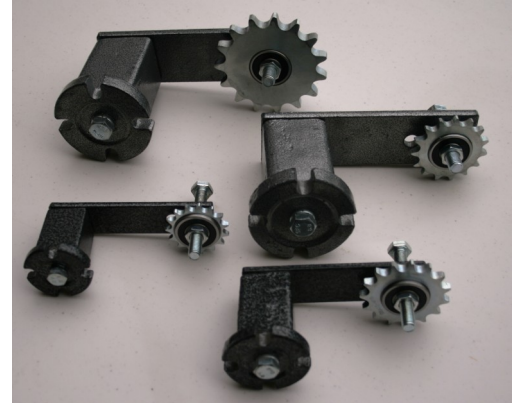


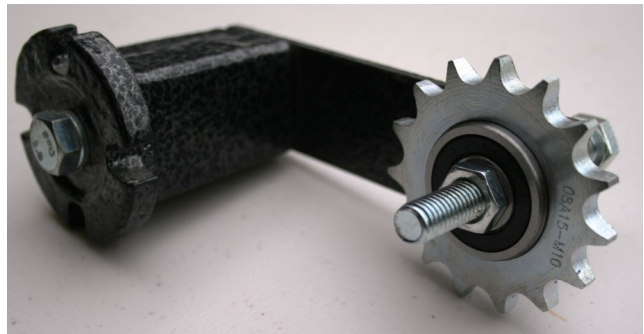
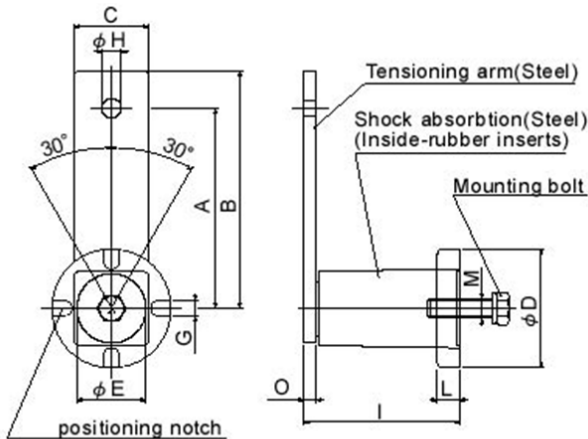
GB rubber block series tensioner are a proven and effective way for tensioning chain and belt drive in most applications. Properly tensioned drive ensure maximum service life and reduced maintenance issues.

FEATURES/BENEFITS

- Interchangeable with existing leading brands
- Can be mounted in any position to provide tension to drives in almost any application
- Virtually maintenance free in most applications.
- Mounted via single bolt into the body on the main tensioner arm



Tensioner Arms	
Pt No	Rosta
GB15	SE15
GB18	SE18
GB27	SE27
GB38	SE38
GB45	SE45



- Allowable operating angle $\pm 30^\circ$
- Operating temperature range $-35^\circ \sim +80^\circ$

Model	A	B	C	D	E	G	H	I	L	O	HW	Kgs
GB15	100	130	30	50	30	8.5	10.5	62	8	5	M10	0.48
GB18	100	133	35	60	36	9	10.5	75	10	6	M10	0.73
GB27	131	156	52	81	52	10	12	106	15	8	M12	2
GB38	175	205	65	102	69	13.5	20.5	138	15	10	M20	4.2
GB45	225	260	70	115	72	13.5	20.5	200	18	12	M20	7

Idler Sprockets - Zinc Plated

Part No	Tensioner Arm	Teeth No	Chain	Bolt	Bearing
ID-06A15-M10	IDLER SPROCKET GB15 - GB18	15	06B-1	M10	6200-2RS
ID-08A15-M10	IDLER SPROCKET GB15 - GB18	15	08B-1	M10	6200-2RS
ID-08A15-M12	IDLER SPROCKET GB27	15	08B-1	M12	6301-2RS
ID-10A15-M12	IDLER SPROCKET GB27	15	10B-1	M12	6301-2RS
ID-10A15-M20	IDLER SPROCKET GB38	15	10B-1	M20	6304-2RS
ID-12A15-M12	IDLER SPROCKET GB27	15	12B-1	M12	6301-2RS
ID-12A15-M20	IDLER SPROCKET GB38	15	12B-1	M20	6304-2RS
ID-80A13-M20	IDLER SPROCKET GB38	13	80-1	M20	6304-2RS
ID-20A13-M20	IDLER SPROCKET GB45	13	20B-1	M20	6304-2RS