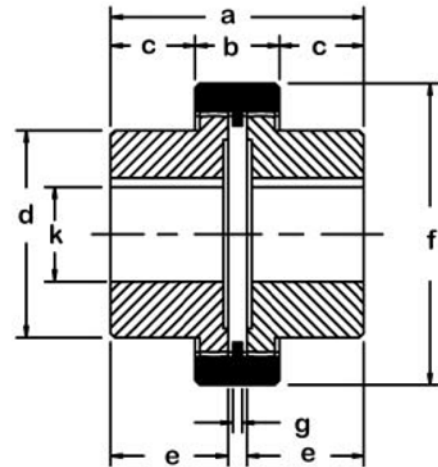


# Metric Gear Coupling

## (with Nylon Outer Sleeve)



**100% interchangeable with Industry Leading Brands**

Series	Max Bore							b	a
	f	d	k	e	g	c			
14	40	25	14	23	3	6.5	37	50	
19	48	20	19	25	4		37	54	
24	52	36	24	26	3	7.5	41	56	
28	66	44	28	40	3	19	46	84	
32	76	50	32	40	3	18	48	84	
38	83	58	38	40	3	18	48	84	
42	92	65	42	42	3	19	50	88	
48	100	68	48	50	3	27	50	104	
55	114	82	60	52	4		58	108	
65	140	96	65	70	3	36	72	144	
80	175	124	80	90	4	46.5	93	186	

\*A complete coupling consists of (3) pieces. (2) hubs and (1) sleeve.  
Ordered separately

### Technical Data

Series	Power kW 1/min	Torque Nm	Transmitted Power in kW at listed RPM					Max RPM	Weight kg	kgcm <sup>2</sup>	Max. Misalignment for Each Hub		Axial Displacement
			500	750	1000	1500	3000				Angular α°	Radial mm	
											±1	±0.3	
14	0.0010	10	0.5	0.8	1.1	1.6	3.1	14,000	0.210	0.26	±1	±0.3	±1
19	0.0019	18.5		1.3	1.8	2.7	5.4	12,000	0.276	0.64	±1	±0.4	±1
24	0.0021	21	1	1.6	2.1	3.2	6.4	10,500	0.480	1.15	±1	±0.4	±1
28	0.0047	45	2.4	3.5	4.8	7.1	14	8,500	1.180	3.95	±1	±0.4	±1
32	0.0062	60	3	4.7	6.3	9.5	19	7,600	1.470	6.78	±1	±0.4	±1
38	0.0085	81	4.3	6.4	8.4	12.5	25	6,700	1.910	10.80	±1	±0.4	±1
42	0.0011	100	5.2	8	10	16	32	6,000	2.520	12.64	±1	±0.4	±1
48	0.016	142	7.4	11	15	22	44	5,580	3.21	22.66	±1	±0.4	±1
55	0.029	285		22	40	60	170	4,800	3.38	49.44	±1	±0.5	±1
65	0.040	380	20	30	50	85	120	4,000	8.86	125.65	±1	±0.6	±1
80	0.073	700	38	55	74	110	220	3,100	18.60	400.00	±1	±0.7	±1